

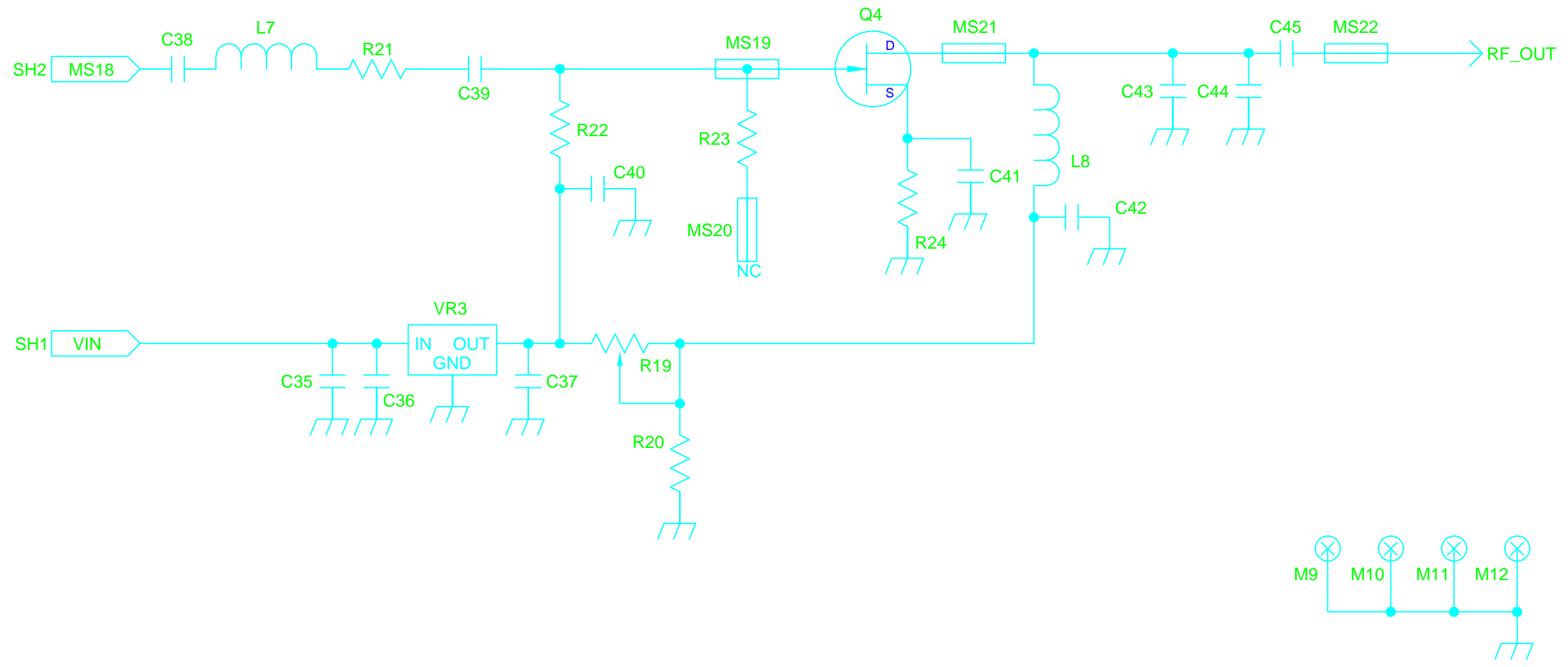
4

3

DWG NO. XXX-XXXXX-XXX

SH 3 REV 0

1



STAGE 3

	113 Montclair Circle Durham, North Carolina 27713 (919) 544-7613		SIZE B	CAGE CODE	DWG NO. XXX-XXXXX-XX	REV 0
	SCALE: 1/1	SHEET 3 OF 3				

4

3

2

1